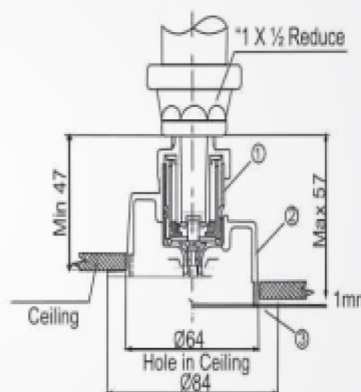




Assembly Diagram



Standard Response & Quick Response

NewAge concealed sprinkler is designed to meet both aesthetic and practical requirement for airport, high-class hotel, luxurious apartment, and sports facility. Its unique concealed installation hides the sprinkler behind the cover plate assembly, providing 10 mm of field adjustment capability, resulting in an easily accomplished tight fit against the ceiling.

Technical Specifications

SIN NO.	NI072	NI082
Response Type	Standard	Quick
Temperature Rating (Sprinkler)	68 °C	68 °C
Temperature Rating (Cover Plate)	57 °C	57 °C
Nominal K Factor	5.6 (80)	5.6 (80)
Glass Bulb Size	5 mm	3 mm
Maximum Working Pressure	175 psi (12kgf/cm ²)	175 psi (12kgf/cm ²)
Factory Hydrostatic test Pressure	350 psi (25kgf/cm ²)	350 psi (25kgf/cm ²)
Thread Size	1.2" NPT/ BSPT	1.2" NPT/ BSPT
Sprinkler Finish	Chrome Plated	Chrome Plated
Cover Plate Finish	White	White
Approved	UL Listed (File EX 15242)	UL Listed (File EX 15242)

Material Specification

Component	Material	Specification
Frame	Forged Bronze	ASTM B584 C83600
Deflector	Brass Sheet	ASTM B36 C26800
Bulb Retainer	Bronze Rod	C863600
Spring Washer	Stainless Steel Sheet PTFE Coated	ASTM A 167 S30400
Set Screw	Brass Rod	ASTM B 16 C36000