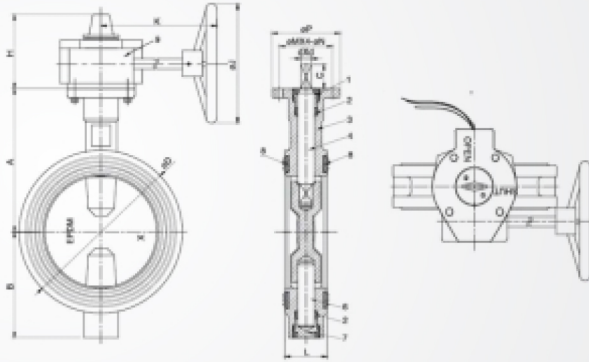


Wafer Type Butterfly Valve

Model No. : NIBO-W300



Assembly Diagram



Carried Standard

Design Standard : Ap1609

Face To Face Standard : ASME B16.1

Top Standard : ISO 6211

Test Standard : AP1598

ITEM/SIZE	A	B	C	D	H	K	J	P	M	N	D	L
2-1/2"	125	95	32	112	111	218	152	90	70	9	10	44.2
3"	140	100	32	120	111	218	152	90	70	9	11	45.3
4"	160	100	32	165	111	218	152	90	70	9	14	52
5"	170	125	32	182	111	218	152	90	70	9	14	54.4
6"	190	140	32	216	111	218	152	90	70	9	16	55.8
8"	230	175	32	260	126	232	300	125	102	12	19	60.5
10"	260	200	45	320	126	232	300	125	102	12	22	66.5
12"	300	240	45	375	161	252	300	125	102	14	24	78.9

No	Name	Material
1	Signal Gearbox	DI
2	End Face Seal	EPDM
3	Lower Shaft Sealing Nut	WCB
4	Lower Shaft	SS416
5	Disc	DI+EPDM
6	Upper Shaft	SS416
7	Body	DI
8	Shaft Seal	EPDM
9	Upper Shaft Sealing Nut	WCB

Specification

Size: 2 ½" Through 12"

W.P: 300 PSI (20 Bars)

Max T.P: 600 PSI (40 Bars)

W.T.P: 250° F (120° C)

Approval: UL listed & FM Approved

Note: from Size : 2 ½" to 8 " UL listed & FM Approved And Size:10" & 12" UL listed only.