

## 1085A Bronze Ball Valve With Integral Strainer & Flare Nut (Mixed Ends)

### Salient Features

- Screwed Ends to BSP Female Inlet and 5/8" BSP Male Outlet provided with a Flare Nut.
- Two Piece Design.
- Quarter Turn, Lever Operated for convenient operation.
- Stainless Steel (S.S 304) rust proof perforated sheet screen is provided in the strainer.
- Stainless Steel, Rust Free and Robust Lever.
- Most suitable for refrigeration and H.V.A.C applications.

Test Pressure (Hydrostatic)  
Shell : 20 kg/cm<sup>2</sup>g (300 psig)  
Seat : 13.50 kg/cm<sup>2</sup>g (192 psig)  
Maximum Working Temperature : 220°C

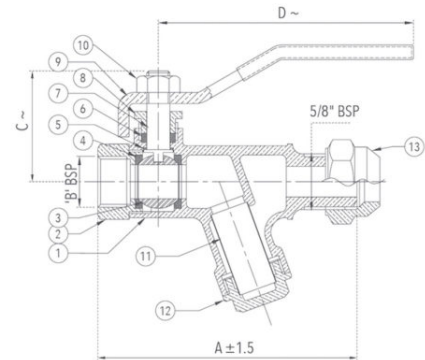
### Suitable For

Water



### Materials

P.No.	Name of Part	Material of Construction	Specification	Qty.
1	Body	Bronze	IS 318 Gr. LTB 2	1
2	Bonnet	Bronze	IS 318 Gr. LTB 2	1
3	Ball	Stainless Steel	ASTM A 276 Type 304	1
4	Body Seat Ring	PTFE	---	2
5	Thrust Washer	PTFE	---	1
6	Packing Ring	PTFE	---	-
7	Stem	Stainless Steel	ASTM A 276 Type 410	1
8	Gland	Brass	IS 6912 Gr. FLB	1
9	Lever	Stainless Steel	Type 304	1
10	Nut	Carbon Steel	---	1
11	Screen	Stainless Steel	Type 304	1
12	Bottom Cover	Bronze	IS 318 Gr. LTB 2	1
13	Flare Nut	Brass	IS 6912 Gr. FLB	1



### Sizes / Dimensions

Size (Inches)	Size (mm)	A ±1.5	B	C ~	D ~
1/2	15	87	1/2"	34	82
3/4	20	114	3/4"	36	82
1	25	126	1"	44	82

~ ±10