

## 1087 Bronze Double Regulating Balancing Valve (Screwed) With Nozzle

### Salient Features

- Design Standard BS 7350.
- Precise double regulation.
- Tamper proof setting with a lock shield.
- PTFE sealing disc to ensure a proper shut off.
- Provided with Inlet / Outlet pressure test cocks.
- Facilitates system design, hence saves energy.
- Handwheel Operated.
- Easy to install and set.
- Accentuates systematic commissioning of the plant for an optimal operation.



Test Pressure (Hydrostatic) :

Shell : 24 kg/cm<sup>2</sup>g (340 psig)

Maximum Operating Pressure (Hydrostatic) : 16 Bar at an ambient temperature upto 45°C

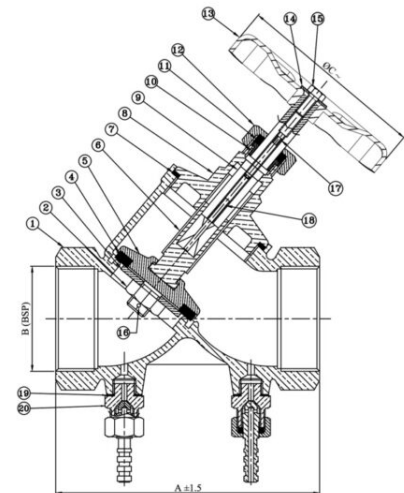
Maximum Working Temperature : 220°C

### Suitable For

Water

### Materials

P.No.	Name of Part	Material of Construction	Specification	Qty.
1	Body	Bronze	IS 318 Gr. LTB2	1
2	Nut	Brass	IS 6912 Gr. FLB	1
3	Washer	Bronze / Brass	IS 318 Gr. LTB2 / IS 6912 Gr. FLB	1
4	Disc	PTFE	- - -	1
5	Disc Holder	Bronze	IS 318 Gr. LTB2	1
6	Lower Stem	Bronze	IS 318 Gr. LTB2	1
7	Gasket / 'O' Ring	PTFE / Nitrile Rubber	- - -	1
8	Bonnet	Bronze	IS 318 Gr. LTB2	1
9	Upper Stem	Brass	IS 6912 Gr. FLB	1
10	Lock Nut	Brass	IS 6912 Gr. FLB	1
11	Washer	PTFE	- - -	1
12	Gland Nut	Brass	IS 6912 Gr. FLB	1
13	Handwheel	Sheet Metal	- - -	1
14	Washer	Carbon Steel	- - -	1
15	Bolt	Carbon Steel	- - -	1
16	Lock Pin	Brass	- - -	1
17	L-Key Screw	Carbon Steel	- - -	1
18	Adjusting Pin	Carbon Steel	- - -	1
19	Washer	PTFE	- - -	1
20	Nozzle Assembly	Brass	- - -	2



### Sizes / Dimensions

Size (Inches)	Size (mm)	A ±1.5	B	ØC ~
1	25	90	1"	70
1 1/4	32	110	1 1/4"	80
1 1/2	40	120	1 1/2"	90
2	50	150	2"	110

~ ±10