

1018 Bronze Ferrule Cock (Medium)

Salient Features

- Screwed Male Ends (Inlet to BSPT and Outlet to BSP) to IS 554 / BS 21 / ISO 7.
- Medium Pattern, Rough Body, Full Flow.
- Metal to Metal contact seating.
- Can withstand heavy impact of water as well as tolerance of sudden pressure.

Test Pressure (Hydrostatic) :
Shell : 20 kg/cm²g (285 psig)
Seat : 13.5 kg/cm²g (192 psig)
Maximum Working Temperature : 225°C

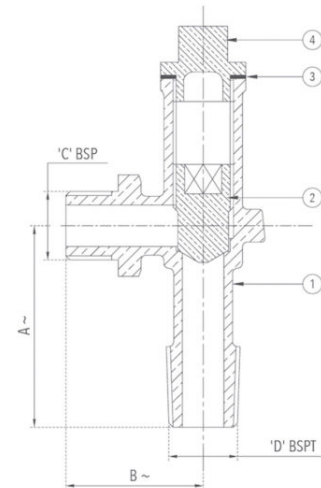
Suitable For

Water



Materials

P.No.	Name of Part	Material of Construction	Specification	Quantity
1	Body	Bronze	IS 318 Gr. LTB 2	1
2	Plug	Bronze	IS 318 Gr. LTB 2	1
3	Joint Washer	Leather	---	1
4	Cap	Bronze	IS 318 Gr. LTB 2	1



Sizes / Dimensions

Size (Inches)	Size (mm)	A ±5	B ±5	C	D
1/4	8	57	35	1/4"	1/4"
3/8	10	60	36	3/8"	3/8"
1/2	15	57	37	1/2"	1/2"