

1003 Bronze Globe Valve No.8 (Flanged)

Salient Features

- Flanged Ends to BS 10 Table 'D'.
- Screwed in Bonnet, Inside Screw, Rising Stem, Integral Seat.
- Designed sheet metal handwheel for a firm grip and convenient operation.
- Premium Quality PTFE Gland Packing.
- Medium Pattern.

Test Pressure (Hydrostatic) :
Shell : 24 kg/cm²g (340 psig)
Seat : 16 kg/cm²g (225 psig)
Maximum Working Temperature : 225°C

Suitable For

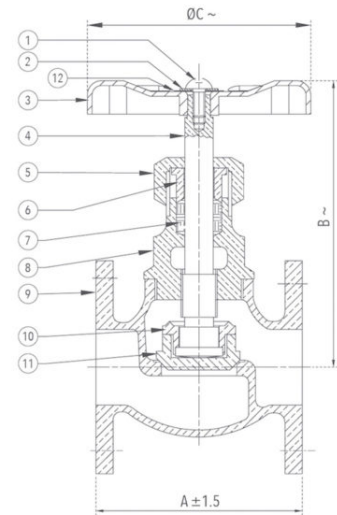
Water, Oil, Air*, Gases*

*Also available with PTFE Seating for Air and Gas applications, at a nominal extra price.



Materials

P.No.	Name of Part	Material of Construction	Specification	Quantity
1	Screw / Bolt	Carbon Steel (Zinc Plated)	---	1
2	Washer	Carbon Steel (Zinc Plated)	---	1
3	Handwheel	Sheet Metal (Powder Coated)	---	1
4	Stem	Forged Brass	IS 6912 Gr. FLB	1
5	Gland Nut	Forged Brass	IS 6912 Gr. FLB	1
6	Gland	Forged Brass	IS 6912 Gr. FLB	1
7	Gland Packing	PTFE	---	-
8	Bonnet	Bronze	IS 318 Gr. LTB2	1
9	Body	Bronze	IS 318 Gr. LTB2	1
10	Disc Nut	Bronze	IS 318 Gr. LTB2	1
11	Disc	Bronze	IS 318 Gr. LTB2	1
12	Name Plate	Aluminium	---	1



Sizes / Dimensions

Size (Inches)	Size (mm)	A ±1.5	B ~	ØC ~
1/2	15	53	85	50
3/4	20	67	90	57
1	25	80	98	62
1 1/4	32	85	115	76
1 1/2	40	91	127	80
2	50	106	140	86

~ ±10

NOTE : Also available with Open-Shut indicator and locking device at a nominal extra price.