

1004 Bronze Globe Valve (One Side Flanged) with PTFE Seating

Salient Features

- Inlet Side Flanged to BS 10 Table 'D' and Outlet Side Screwed Female End to IS 554 / BS 21 / ISO 7.
- Screwed in Bonnet, Inside Screw, Rising Stem, Integral Seat.
- Designed sheet metal handwheel for a firm grip and convenient operation.
- Premium Quality PTFE Gland Packing.
- Medium Pattern.
- Ideal for transformers, even for less viscous oil.

Test Pressure (Hydrostatic) :
Shell : 24 kg/cm²g (340 psig)
Seat : 16 kg/cm²g (225 psig)
Maximum Working Temperature : 225°C

Suitable For

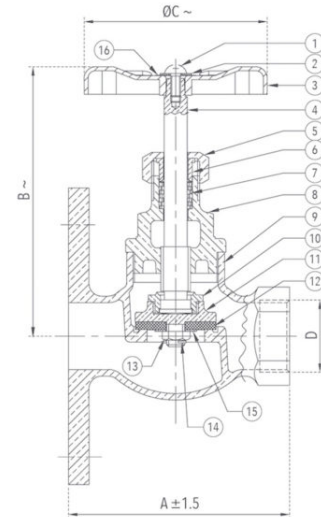
Oil

*Also available with Open-Shut indicator and Locking Device, at a nominal extra price.



Materials

| P.No. | Name of Part | Material of Construction | Specification | Quantity |
|-------|-------------------|-----------------------------|-----------------|----------|
| 1 | Screw / Bolt | Carbon Steel (Zinc Plated) | --- | 1 |
| 2 | Washer | Carbon Steel (Zinc Plated) | --- | 1 |
| 3 | Handwheel | Sheet Metal (Powder Coated) | --- | 1 |
| 4 | Stem | Forged Brass | IS 6912 Gr. FLB | 1 |
| 5 | Gland Nut | Forged Brass | IS 6912 Gr. FLB | 1 |
| 6 | Gland | Forged Brass | IS 6912 Gr. FLB | 1 |
| 7 | Gland Packing | PTFE | --- | - |
| 8 | Bonnet | Bronze | IS 318 Gr. LTB2 | 1 |
| 9 | Body | Bronze | IS 318 Gr. LTB2 | 1 |
| 10 | Disc Nut | Bronze | IS 318 Gr. LTB2 | 1 |
| 11 | Disc | Bronze | IS 318 Gr. LTB2 | 1 |
| 12 | Disc Facing | PTFE | --- | 1 |
| 13 | Retaining Nut | Forged Brass | IS 6912 Gr. FLB | 1 |
| 14 | Split Pin | Brass | --- | 1 |
| 15 | Washer (Optional) | Brass Sheet | --- | 1 |
| 16 | Name Plate | Aluminium | --- | 1 |



Sizes / Dimensions

| Size (Inches) | Size (mm) | A ±1.5 | B ~ | ØC ~ | D |
|---------------|-----------|--------|-----|------|--------|
| 1/2 | 15 | 53 | 85 | 60 | 1/2" |
| 3/4 | 20 | 67 | 90 | 65 | 3/4" |
| 1 | 25 | 80 | 98 | 70 | 1" |
| 1 1/4 | 32 | 86 | 115 | 80 | 1 1/4" |
| 1 1/2 | 40 | 91 | 127 | 90 | 1 1/2" |
| 2 | 50 | 106 | 140 | 110 | 2" |

~ ±10

NOTE : For size 15, 20 and 25 part number 10 is not applicable.