

1009A Forged Brass Multi Utility Check Valve (Screwed)

Salient Features

- Screwed Female Ends to IS 554 / BS 21 / ISO 7.
- Screwed in Bonnet.
- Suitable for both Horizontal and Vertical Lines.
- Permits flow in one direction and shuts automatically if the flow reverses.
- Disc is guided in Body as well as in Bonnet.
- Chrome Finish.

Test Pressure (Hydrostatic) :
Shell : 15 kg/cm²g (220 psig)
Seat : 10 kg/cm²g (150 psig)
Maximum Working Temperature : 90°C

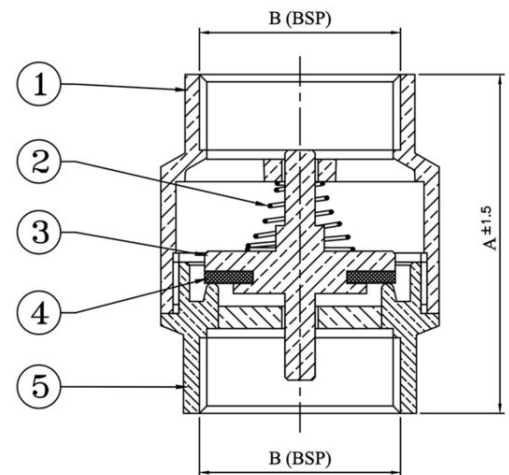
Suitable For

Water, Oil



Materials

P.No.	Name of Part	Material of Construction	Specification	Quantity
1	Body	Forged Brass	IS 6912 Gr. FLB	1
2	Spring	Stainless Steel	Type 304	1
3	Disc	Forged Brass	IS 6912 Gr. FLB	1
4	Disc Facing	Nitrile Rubber	IS 638 Type B	1
5	Bonnet	Forged Brass	IS 6912 Gr. FLB	1



Sizes / Dimensions

Size (Inches)	Size (mm)	A ±1.5	B
1/2	15	46	1/2"
3/4	20	53	3/4"
1	25	56	1"
1 1/4	32	60	1 1/4"
1 1/2	40	65	1 1/2"
2	50	76	2"