

1012 Bronze Horizontal Check Valve No.8 (Flanged)

Salient Features

- Flanged Ends to BS 10 Table 'D'.
- Screwed in Bonnet, Integral Seat.
- Permits flow in one direction and shuts automatically if the flow reverses.
- Metal Disc is mushroom shaped with spherical seating surface.
- Meant for Horizontal Lines Only.
- Disc is guided in Body as well as in Bonnet.
- Medium Pattern.
- Also available with metal to metal seating.

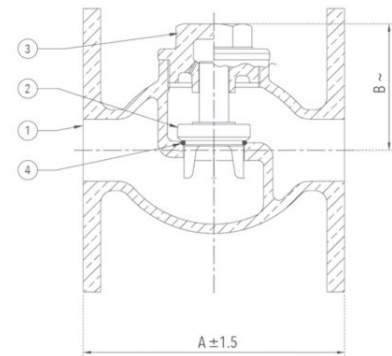
Test Pressure (Hydrostatic) :
Shell : 24 kg/cm²g (340 psig)
Seat : 16 kg/cm²g (225 psig)
Maximum Working Temperature : 80°C

Suitable For

Water, Oil

Materials

P.No.	Name of Part	Material of Construction	Specification	Quantity
1	Body	Bronze	IS 318 Gr. LTB 2	1
2	Disc	Bronze	IS 318 Gr. LTB 2	1
3	Bonnet	Bronze	IS 318 Gr. LTB 2	1
4	'O' Ring	Nitrile Rubber	IS 5192 - 1	1



Sizes / Dimensions

Size (Inches)	Size (mm)	A ±1.5	B ~
1/2	15	53	32
3/4	20	67	37
1	25	80	45
1 1/4	32	85	51
1 1/2	40	91	60
2	50	106	68

~ ±10