

## 1009 Bronze Vertical Check Valve (Screwed)

### Salient Features

- Screwed Female Ends to IS 554 / BS 21 / ISO 7.
- Single Piece Design, Integral Seat.
- Meant for Vertical Lines Only.
- Permits flow in one direction and shuts automatically if the flow reverses.
- Spring Loaded and 'O' Ring Type.
- Also available with metal to metal seating.

Test Pressure (Hydrostatic) :  
Shell : 25 kg/cm<sup>2</sup>g (350 psig)  
Seat : 16 kg/cm<sup>2</sup>g (225 psig)  
Maximum Working Temperature : 80°C

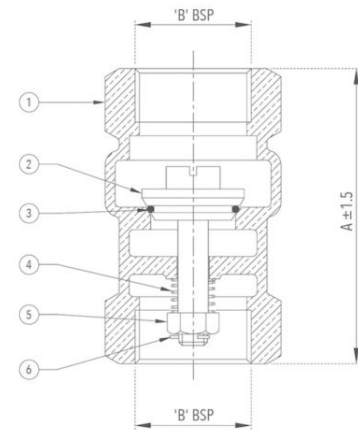
### Suitable For

Water, Oil



### Materials

P.No.	Name of Part	Material of Construction	Specification	Quantity
1	Body	Bronze	IS 318 Gr. LTB 2	1
2	Disc	Bronze	IS 318 Gr. LTB 2	1
3	'O' Ring	Nitrile Rubber	IS 5192 - 1	1
4	Spring	Stainless Steel	Type 304	1
5	Disc Nut	Brass	---	1
6	Split Pin	Brass	---	1



### Sizes / Dimensions

Size (Inches)	Size (mm)	A ±1.5	B
1/2	15	55	1/2"
3/4	20	66	3/4"
1	25	76	1"
1 1/4	32	80	1 1/4"
1 1/2	40	85	1 1/2"
2	50	93	2"
2 1/2	65	114	2 1/2"
3	80	118	3"
4	100	141	4"