

## 1044 Bronze Horizontal Lift Check Valve (Flanged)

### Salient Features

- Flanged Ends to BS 10 Table 'H'.
- Straight Pattern, Screwed / Bolted Cover.
- Renewable 13% Cr. Stainless Steel (S.S 410) working parts.

Test Pressure (Hydrostatic) :  
Shell 35.15 kg/cm<sup>2</sup>g (500 psig)  
Working Pressure (Steam) : 17.58 kg/cm<sup>2</sup>g (250 psig)  
Maximum Working Temperature : 225°C

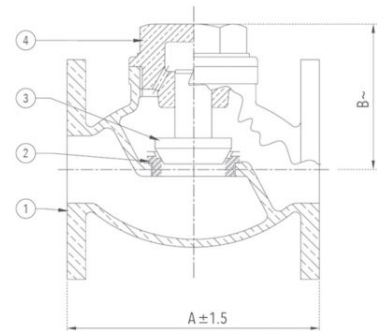
### Suitable For

Steam, Water



### Materials

P.No.	Name of Part	Material of Construction	Specification	Quantity
1	Body	Bronze	IBR 282 (a) (iv) Gr. B	1
2	Body Seat Ring	Stainless Steel	ASTM A276 Type 410	1
3	Disc	Stainless Steel	ASTM A276 Type 410	1
4	Cover	Bronze	IBR 282 (a) (iv) Gr. B	1



### Sizes / Dimensions

Size (Inches)	Size (mm)	A ± 1.5	B ~
1/2	15	102	55
3/4	20	114	55
1	25	127	65
1 1/4	32	140	78
1 1/2	40	152	82
2	50	178	91

~ ±10