

1005 Bronze Needle Valve (Screwed)

Salient Features

- Screwed Female Ends to IS 554 / BS 21 / ISO 7.
- Screwed in Bonnet, Inside Screw, Rising Stem, Integral Seat.
- Designed sheet metal handwheel for a firm grip and convenient operation.
- Needle Type Spindle Seating.
- Premium Quality PTFE Gland Packing.
- Medium Pattern.

Test Pressure (Hydrostatic) :
Shell : 24 kg/cm²g (340 psig)
Seat : 16 kg/cm²g (225 psig)
Maximum Working Temperature : 225°C

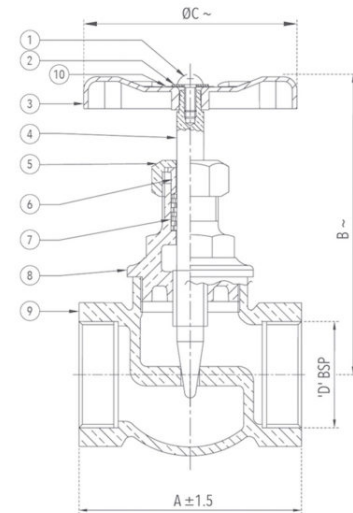
Suitable For

Air, Gases



Materials

P.No.	Name of Part	Material of Construction	Specification	Quantity
1	Screw / Bolt	Carbon Steel (Zinc Plated)	---	1
2	Washer	Carbon Steel (Zinc Plated)	---	1
3	Handwheel	Sheet Metal (Powder Coated)	---	1
4	Stem	Forged Brass	IS 6912 Gr. FLB	1
5	Gland Nut	Forged Brass	IS 6912 Gr. FLB	1
6	Gland	Forged Brass	IS 6912 Gr. FLB	1
7	Gland Packing	PTFE	---	-
8	Bonnet	Bronze	IS 318 Gr. LTB2	1
9	Body	Bronze	IS 318 Gr. LTB2	1
10	Name Plate	Aluminium	---	1



Sizes / Dimensions

Size (Inches)	Size (mm)	A ±1.5	B ~	ØC ~	D
1/2	15	48	85	60	1/2"
3/4	20	55	92	65	3/4"
1	25	65	100	70	1"
1 1/4	32	77	110	80	1 1/4"
1 1/2	40	90	125	90	1 1/2"
2	50	102	142	110	2"

~ ±10