

## 1078F Butterfly Valve (Wafer Type), PN 1.0 with Electrical Actuator

### Salient Features

- Design Standard IS 13095 / BS EN 593 (BS 5155).
- Wafer Type.
- Electrical Acuator Operated.
- S.G Iron construction.
- Stainless Steel (CF8 / CF8M\*) Disc which is accurately guided between the two stems.
- Actuator is with position indicator and adjustable center stopper for both open and closed position.
- Compliant with B.M.S (Building Management System).
- Can be provided with extended wire for ease of installation.
- IP 67 protection available for outdoor application.
- Inbuilt micro switch position feedback.
- Input Voltage - 24/230 V power supply.
- Integrally moulded rubber lining (EPDM / Nitrile / Neoprene\* / Viton\* / Silicon\*) as per requirement which provides seating to the valve disc, as a primary seal to the stem and gasket joint with matching pipe flanges.
- Two Piece Stem design which is precisely guided between the PTFE / Bronze bushes.
- Compatible to sandwich between flanges as per BS 10 Table D, E, F,H, DIN, PN 10, PN 16, PN 25, PN 40, ASA 150, ASA 300, IS 778, IS 6392 Table 17 and IS 1538.



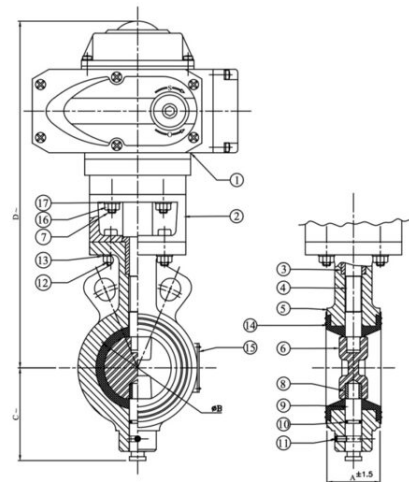
\*Valves with Neoprene / Viton / Silicon lining and CF8M (S.S 316) Disc can also be provided at nominal extra cost.

PN 1.0 -  
Test Pressure (Hydrostatic) :  
Shell : 1.5 MPa  
Seat : 1.1 MPa  
Maximum Working Pressure : 1.0 MPa  
Maximum Working Temperature : 90°C

**Suitable For**  
Water

### Materials

P.No.	Name of Part	Material of Construction	Specification	Qty.
1	Electric Actuator	---	---	1
2	Actuator Base	Carbon Steel	---	1
3	Packing Bush	Bronze	IS 318 Gr. LTB 2	1
4	Upper Stem	Stainless Steel	IS 6603 Gr. 12 Cr12	1
5	Body	S.G Iron	IS 1865 Gr. 400/15	1
6	Disc	Stainless Steel	IS 3444 Gr. 1 / ASTM A351 Gr. CF8	1
7	Studs for Actuator	Carbon Steel	IS 1367	4
8	Bush	Bronze	IS 318 Gr. LTB 2	1
9	Lower Stem	Stainless Steel	IS 6603 Gr. 12 Cr12	1
10	'O' Ring	Nitrile Rubber	IS 5192 - 1	1
11	L - Key Screw	Carbon Steel	---	1
12	L-Key Bolts & Nuts	Carbon Steel	---	4 Each
13	Locking Washer	Spring Steel	---	1
14	Body Lining	EPDM / Nitrile	IS 5192 - 1	1
15	Name Plate	Aluminium	---	1
16	Nuts	Carbon Steel	IS 1363 Part 3 Class 4.0	4
17	Spring Washer	Spring Steel	---	4



### Sizes / Dimensions

Size (Inches)	Size (mm)	A ±1.5	ØB	C ~	D ~	Actuator Model No.
1 1/2	40	33	40.6	57	265	ZSY 1
2	50	43	53	73	275	ZSY 1
2 1/2	65	46	67	80	290	ZSY 1
3	80	46	81.3	88	295	ZSY 1
4	100	52	101	110	325	ZSY 1
5	125	56	127.1	122	372	ZSY 2
6	150	56	151	151	400	ZSY 2
8	200	60	201.6	180	457	ZSY 2
10	250	68	252.2	220	516	ZSY 4
12	300	78	301.3	250	540	ZSY 4
14	350	86	352	295	610	ZSY 6

~ ±10