

1082 Cast Iron Dual Plate Wafer Type Check Valve, PN 16

Salient Features

- Design standard API 594.
- Wafer Type Design, to take lesser space than the conventional Check Valve.
- Being light in weight, is more rigid than the standard Swing Type Check Valve, which needs expensive foundation and special supports.
- Being cylindrical body, stresses are uniformly distributed.
- Much longer seat life because of Bronze / S.S to Rubber contact.
- Less wear and tear of seat surfaces.
- End connections are designed to suit flanges drilled to ANSI B Class-125 / ASME B Class-150.
- Water hammering effect is minimized in this design, since the closing of valve does not depend upon any back pressure or flow.
- Each plate being half of the size of the swing check valve disc, provides straight flow path offering minimal resistance because of the spring's assistance as closing of the valve initiates as soon as flow velocity dips below the designated minimum velocity.



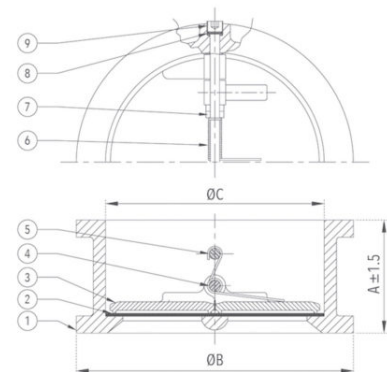
Test Pressure (Hydrostatic) :
Shell : 24.50 kg/cm²g (350 psig)
Seat : 16 kg/cm²g (230 psig)
Maximum Working Temperature : 80°C

Suitable For

Water

Materials

P.No.	Name of Part	Material of Construction	Specification	Qty.
1	Body	Cast Iron	IS 210 Gr. FG 200	1
2	Body Lining	Nitrile Rubber	IS 5192 - 1	1
3	Flap / Disc	Stainless Steel / Bronze	ASTM A 351 Gr. CF8/CF8M / IS 318 Gr. LTB2	2
4	Hinge Pin	Stainless Steel	ASTM A 276 Type 304	1
5	Stop Pin	Stainless Steel	ASTM A 276 Type 304	1
6	Spring	Stainless Steel	Type 304	-
7	Packing Washer	Stainless Steel/PTFE	ASTM A 276 Type 304 / - - -	-
8	Packing Washer	Nitrile Rubber / PTFE	IS : 5192-1 / - - -	-
9	Retainer Plug	Carbon Steel	- - -	2/4



Sizes / Dimensions

Size (Inches)	Size (mm)	A	ØB	ØC
1 1/2	40	50	92	56
2	50	54	101	60
2 1/2	65	60	120	73
3	80	67	133	89
4	100	67	171	114
5	125	83	193	141
6	150	95	218	168
8	200	127	276	219
10	250	140	336	273.5
12	300	181	406	324
14*	350*	184	451	357

*Flap / Disc for Size 350 is of Bronze.