

1066 Cast Iron Globe Steam Stop Valve Angle Pattern (Flanged) I.B.R

Salient Features

- Flanged Ends to DIN 2533 PN 16RF.
- Angle Pattern, Outside Screw, Yoke Type, Rising Stem.
- Renewable 13% Cr. Stainless Steel (S.S 410) working parts.
- Provision for re-packing under pressure.
- Minimum pressure drop inside the body due to streamlined body design.
- High lift of the seat to avoid any obstruction in the flow.
- Sturdy and comparatively bigger sized wheel provided to give sufficient torque for easy operation.



Test Pressure (Hydrostatic) :

Shell : 26 kg/cm²g (370 psig)

Working Pressure (Steam) : 13 kg/cm²g (185 psig)

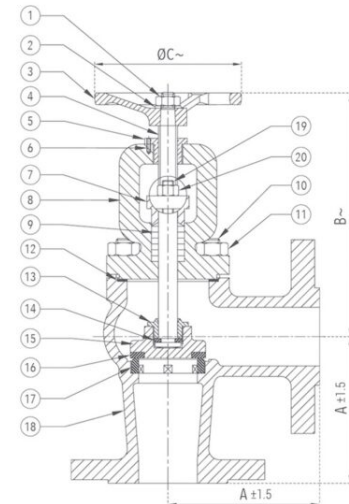
Maximum Working Temperature : 220°C

Suitable For

Steam, Water

Materials

P.No.	Name of Part	Material of Construction	Specification	Quantity
1	Nut	Carbon Steel	---	1
2	Washer	Carbon Steel	---	1
3	Handwheel	Cast Iron	IS 210 Gr. FG 200	1
4	Stem	Stainless Steel	ASTM 276 Type 410	1
5	Yoke Bush	Bronze	IS 318 Gr. LTB 2	1
6	Locking Screw	Carbon Steel	---	1
7	Gland Flange	Cast Iron	IBR 86-93 Gr. A	1
8	Bonnet	Cast Iron	IBR 86-93 Gr. A	1
9	Gland Packing	Braided Graphited Asbestos	IS 4687	-
10	Studs	Carbon Steel	IS 1367	As Reqd.
11	Nuts	Carbon Steel	IS 1367	As Reqd.
12	Gasket	Steam Jointing Sheet	IS 2712 Gr. W/3	1
13	Stem Nut	Stainless Steel	ASTM A 276 Type 410	1
14	Stem Ring	Stainless Steel	ASTM A 276 Type 410	1
15	Disc	Cast Iron	IBR 86-93 Gr. A	1
16	Seat Ring	Stainless Steel	ASTM A 276 Type 410 / ASTM A 182 Gr. F6a	1
17	Body Seat Ring	Stainless Steel	ASTM A 276 Type 410 / ASTM A 182 Gr. F6a	1
18	Body	Cast Iron	IBR 86-93 Gr. A	1
19	Nuts	Carbon Steel	IS 1367	2
20	Bolts	Carbon Steel	IS 1367	2



Sizes / Dimensions

Size (Inches)	Size (mm)	A ±1.5	B ~	ØC ~
1/2	15	90	150	96
3/4	20	95	154	96
1	25	100	162	118
1 1/4	32	105	176	118
1 1/2	40	115	204	150
2	50	125	223	150
2 1/2	65	145	250	180

Size (Inches)	Size (mm)	A±1.5	B ~	ØC ~
3	80	155	275	200
4	100	175	305	235
6	150	225	419	350
8*	200	275	475	435

* Pressure and Temperature for 200 mm Valve is as per PN10 and flanges to PN 10RF.

~ ±10