

1079C Cast Iron Sluice Valve PN 1.0 (Flanged) with Rising Stem

Salient Features

- Design Reference Standard IS 14846.
- Bolted Bonnet, Outside Screw, Yoke Type, Rising Spindle, Solid Wedge.
- Rigid and Sturdy design.
- Hand wheel operated.
- Flanged ends to IS 1538.
- Provision of Re-Packing under pressure.

Test Pressure (Hydrostatic) :

Shell : 1.5 MPa

Seat : 1.0 MPa

Maximum Working Temperature : 45°C

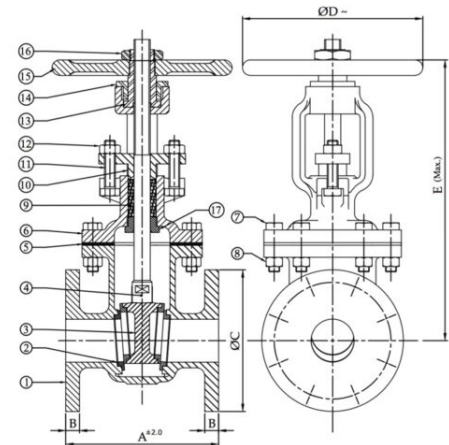
Suitable For

Water



Materials

P.No.	Name of Part	Material of Construction	Specification	Qty.
1	Body	Cast Iron	IS 210 Gr. FG 200	1
2	Seat Ring	Bronze	IS 318 Gr. LTB 2	4
3	Wedge	Cast Iron	IS 210 Gr. FG 200	1
4	Stem	Stainless Steel	IS 6603 Gr. 12 Cr. 12	1
5	Gasket	Rubber	IS 638 Type B	1
6	Bonnet	Cast Iron	IS 210 Gr. FG 200	1
7	Bolt	Carbon Steel	IS 1363 Part 1 Class 4.6	As Reqd.
8	Nut	Carbon Steel	IS 1363 Part 3 Class 4.0	As Reqd.
9	Gland Packing	Hemp. & Jute	IS 5414	-
10	Gland Flange	Cast Iron	IS 210 Gr. FG 200	1
11	Bolt	Carbon Steel	IS 1363 Part 1 Class 4.6	2
12	Nut	Carbon Steel	IS 1363 Part 3 Class 4.0	2
13	Sleeve	S.G Iron	IS 1865	1
14	Sleeve Nut	Stainless Steel	IS 6603 Gr. 12 Cr. 12	1
15	Handwheel	Cast Iron	IS 210 Gr. FG 200	1
16	Handwheel Nut	Stainless Steel	IS 6603 Gr. 12 Cr. 12	1
17	Back Seat Bush	Bronze	IS 318 Gr. LTB 2	1



Sizes / Dimensions

Size (Inches)	Size (mm)	A ±2	B	ØC	ØD ~	E (Max.)
2*	50	178	16 +2	165 (+1.5/-1.0)	210	350
2 1/2*	65	190	16 +2	185 (+1.5/-1.0)	210	410
3	80	203	21 ±3	200 ±4.5	225	455
4	100	229	22 ±3	220 ±4.5	255	540
5	125	254	22.5 ±3	250 ±4.5	255	588
6	150	267	23 ±3	285 (+5.5/-2.5)	310	655
8	200	292	24.5 ±3	340 (+5.5/-2.5)	395	780
10	250	330	26 ±3	395 (+5.5/-2.5)	460	960
12	300	356	27.5 ±3	445 (+5.5/-2.5)	460	1140

~ ±10

* Flanges as per IS 14846.

NOTE : Valve is also available with Brass Spindle at a nominal extra cost.