

1084 Cast Iron Y-Type Strainer PN 10 (Flanged)

Salient Features

- Flanged Ends to BS 10 Table 'F'.
- Stainless Steel (S.S 304) perforated sheet screen (Ø3 mm Perforation) is guided in body and cover.
- Large screening area makes the strainer efficient in performance.
- Minimum pressure drop inside the body due to streamlined body contours.

Test Pressure (Hydrostatic) :

Shell : 15 kg/cm²g (220 psig)

Maximum Working Pressure : 10 kg/cm²g (150 psig)

Maximum Working Temperature : 220°C

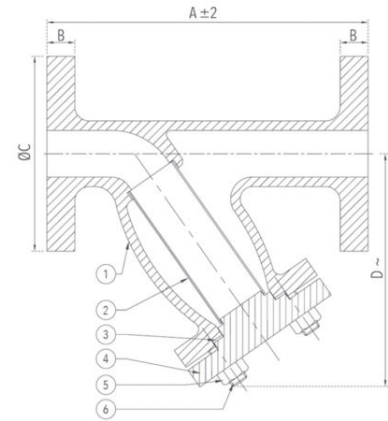
Suitable For

Water



Materials

P.No.	Name of Part	Material of Construction	Specification	Qty.
1	Body	Cast Iron	IS 210 Gr. FG 200	1
2	Screen (Ø3 mm Perforation)	Stainless Steel	Type 304	1
3	Gasket	Rubber	IS 638 Type B	1
4	Bonnet	Cast Iron	IS 210 Gr. FG 200	1
5	Nuts	Carbon Steel	---	As Reqd.
6	Studs	Carbon Steel	---	As Reqd.



Sizes / Dimensions

Size (Inches)	Size (mm)	A ±2	B +3	ØC +3	D ~
1 1/2	40	165	16	140	152
2	50	180	19	165	175
2 1/2	65	206	19	184.5	180
3	80	260	19	203.2	238
4	100	295	22.2	228.6	250
5	125	385	25.4	279.4	320
6	150	385	25.4	305	320
8	200	525	28.6	368.3	395
10	250	700	28.6	431.8	515
12	300	750	31.8	489	570
14	350	850	35	552.5	620

~ ±10