

1073 Cast Steel Y-Type Strainer (Flanged)

Salient Features

- Flanged Ends to BS 10 Table 'J'.
- Stainless Steel (S.S 304) perforated sheet screen (Ø1 mm Perforation) is guided in body and cover.
- Drain Plug to remove the accumulated foreign particles.
- Fine finish and smooth contours to minimize pressure drop inside the strainer.
- Large screening area makes the strainer more efficient.
- Suitable for thermic fluid application also.

Test Pressure (Hydrostatic) : 49 kg/cm²g (700 psig)
Maximum Working Pressure (Steam) : 24.60 kg/cm²g (350 psig)
Maximum Working Temperature : 425°C

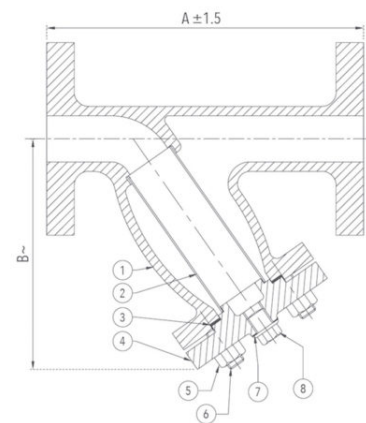
Suitable For

Steam, Water, Oil



Materials

P.No.	Name of Part	Material of Construction	Specification	Qty.
1	Body	Cast Steel	IBR 73 - 80 Gr. B	1
2	Screen (Ø1 mm Perforation)	Stainless Steel	Type 304	1
3	Gasket	Steam Jointing Sheet	IS 2712 Gr. W/3	1
4	Bonnet	Cast Steel	IBR 73-80 Gr. B	1
5	Nuts	H.T Steel	ASTM A 194 Gr. 2H	As Reqd
6	Studs	Alloy Steel	ASTM A 193 Gr. B7	As Reqd
7	Gasket	Steam Jointing Sheet	IS 2712 Gr. W/3	1
8	Plug	Bronze	IS 318 Gr. LTB2	1



Sizes / Dimensions

Size (Inches)	Size (mm)	A ±1.5	B ~
1	25	181	135
1 1/4	32	222	170
1 1/2	40	260	200
2	50	276	225
2 1/2	65	286	250
3	80	296	280
4	100	403	312
6	150	476	364

~ ±10