

## 1024A Forged Brass Ball Bib Cock with Hose Union (Chrome Plated)

### Salient Features

- Screwed Male End to IS 554 / BS 21 / ISO 7.
- Provided with Chrome Plated Brass Ball.
- Sturdy Hose Union provided.
- Chrome Finish.

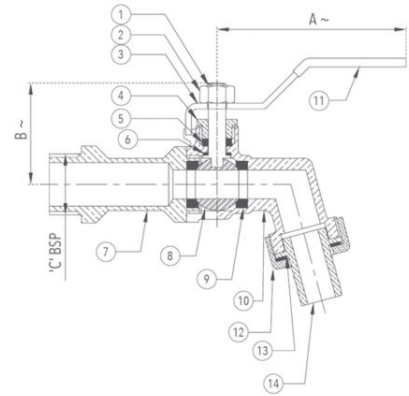
Test Pressure (Hydrostatic) :  
Shell : 25 kg/cm<sup>2</sup>g (350 psig)  
Seat : 16 kg/cm<sup>2</sup>g (225 psig)  
Maximum Working Temperature : 220°C

**Suitable For**  
Water



### Materials

| P.No. | Name of Part   | Material of Construction          | Specification   | Quantity |
|-------|----------------|-----------------------------------|-----------------|----------|
| 1     | Stem           | Forged Brass                      | IS 6912 Gr. FLB | 1        |
| 2     | Nut            | Brass (Chrome Plated)             | ---             | 1        |
| 3     | Lever          | Mild Steel                        | ---             | 1        |
| 4     | Gland          | Forged Brass                      | IS 6912 Gr. FLB | 1        |
| 5     | Gland Packing  | PTFE                              | ---             | 1        |
| 6     | Thrust Washer  | PTFE                              | ---             | 1        |
| 7     | Adaptor        | Forged Brass                      | IS 6912 Gr. FLB | 1        |
| 8     | Ball           | Forged Brass (Hard Chrome Plated) | IS 6912 Gr. FLB | 1        |
| 9     | Body Seat Ring | PTFE                              | ---             | 2        |
| 10    | Body           | Forged Brass                      | IS 6912 Gr. FLB | 1        |
| 11    | Sleeve         | PVC                               | ---             | 1        |
| 12    | Hose Nut       | Forged Brass                      | IS 6912 Gr. FLB | 1        |
| 13    | Washer         | Rubber                            | ---             | 1        |
| 14    | Hose Pipe      | Forged Brass                      | IS 6912 Gr. FLB | 1        |



### Sizes / Dimensions

| Size (Inches) | Size (mm) | A ~ | B ~ | C    |
|---------------|-----------|-----|-----|------|
| 1/2           | 15        | 115 | 34  | 1/2" |

~ ±10